



109 SERIES WIDEBAND RF/PULSE TRANSFORMERS

Features

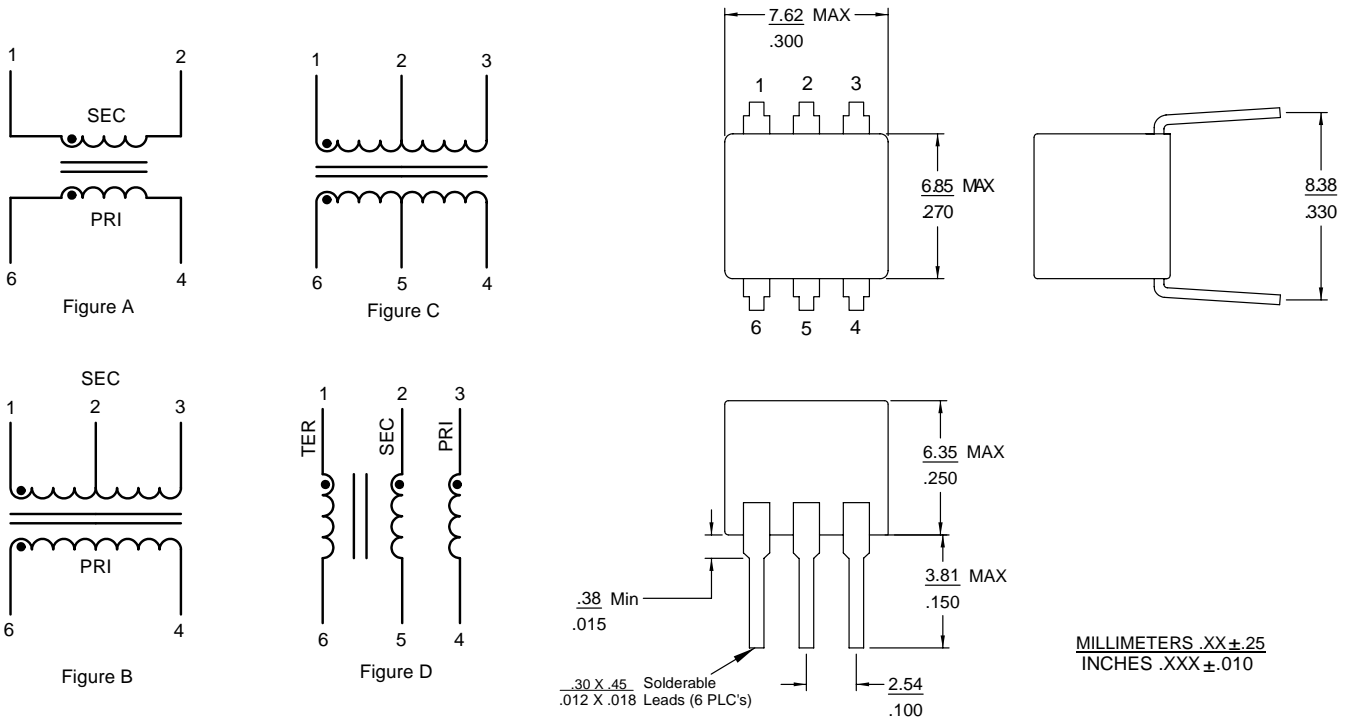
- Designed for use in wideband R.F. and Fast Rise Time Pulse Applications
- Designed for Pulse and Wideband use at 50 Ohm Impedance
- 6 Pin 'DIP' Package
- Tinned Leads with Leaded Solder is Available (note 3)

ELECTRICAL SPECIFICATIONS AT 25°C

Part Number	Turns Ratio ±5%	Primary Pulse Inductance (1,2)		Rise Time (MAX) nsec	ET Product VµSec (Min)	Leakage Inductance (MAX) µH	Interwinding Capacitance (MAX) pF	DCR (MAX) Ohm		Bandwidth for -3dB Loss		Schematic Figure
		µH (Min)	Pulse Width nsec for 50% Droop					N1	N2	Low Freq MHz	High Freq MHz	
PT10910	1:1	80	2.20	2.20	2.50	0.15	12	0.20	0.20	0.05	110	A
PT10914	1:2	40	1.10	3.00	2.00	0.14	15	0.20	0.30	0.10	110	A
PT10916	1:4	20	0.55	6.00	1.25	0.10	10	0.20	0.60	0.20	60	A
PT10911	1:1CT	80	2.20	3.00	2.50	0.18	15	0.20	0.20	0.05	90	B
PT10915	1:2CT	40	1.10	3.00	2.00	0.14	15	0.20	0.30	0.10	110	B
PT10917	1:4CT	20	0.55	6.00	1.25	0.10	10	0.20	0.60	0.20	60	B
PT10912	1CT:1CT	80	2.20	3.00	2.50	0.18	15	0.20	0.20	0.05	90	C
PT10913	1:1:1	40	1.10	2.00	2.00	0.10	12	0.16	0.16	0.10	150	D

Note: 1. Pulse width at which 50% droop occurs and the inductance required to maintain -3dB low frequency loss.

2. Pulse Inductance Lp measurement.
3. For non-RoHS parts replace DR prefix with 42- (e.g. PT10910 becomes 42-10910)
4. Terminal finish is compliant to RoHS requirements



SCHEMATICS

MILLIMETERS .XX ±.25
INCHES .XXX ±.010