



WIDEBAND RF TRANSFORMERS

PT108 Series RF Transformers

Features

- Designed for use in Wideband R.F. Applications
- Frequency Range 0.5 to 1500MHz bandwidth
- Excellent Insertion Loss
- Operating temperature range -40°C to +85°C
- Miniature Surface Mount Package
- Various and Customs Impedance ratios available
- Tinned Leads with Leaded Solder is Available (note 6)

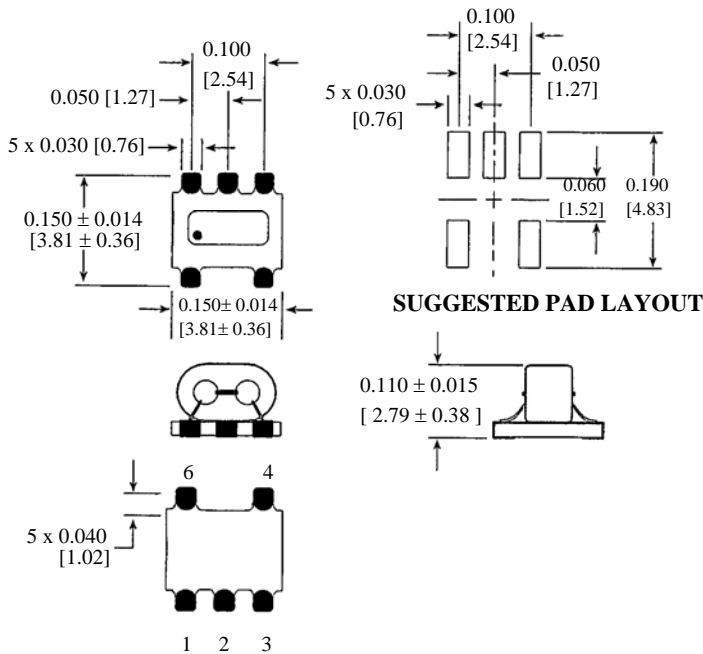


ELECTRICAL SPECIFICATIONS AT 25°C

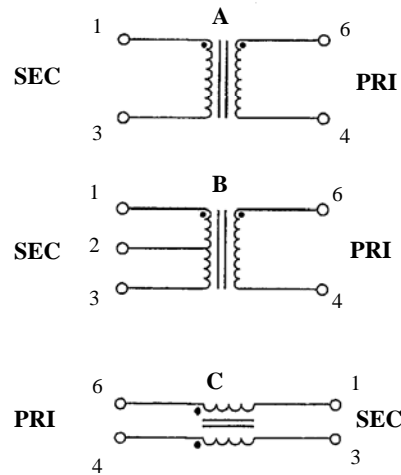
Part Number	Ratio Impedance Pri : Sec (±2%)	Turns Ratio Pri : Sec (±2%)	Bandwidth (MHz TYP)			Insertion Loss (dB Typ)	Schematic
			3dB	2dB	1dB		
PT108-0	1:1	1:1	>1800	Up to 1500	0.1 - 800	0.1	C*
PT108-2	1:1	1:1	1.5 - 500	2.5 - 300	5.0 - 250	0.90	A
PT108-3	1:4CT	1:2CT	0.6 - 300	1.0 - 280	2.0 - 250	0.70	B

*4 and 6 are Primary Pins.

OUTLINE DIMENSIONS



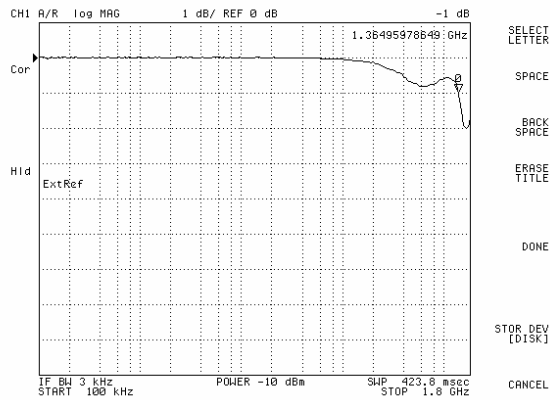
Schematics



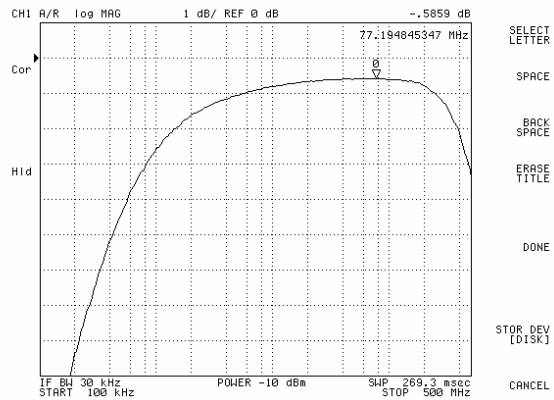


TYPICAL FREQUENCY RESPONSE

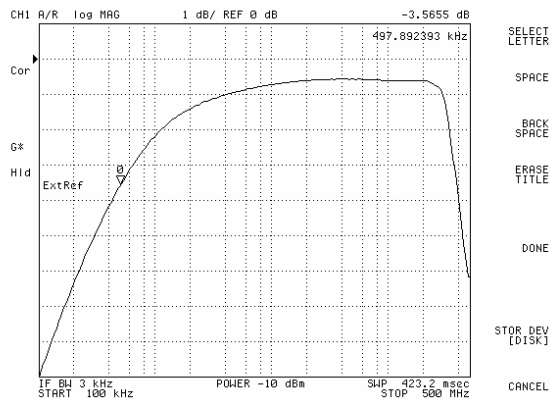
PT108-0 – Typical Insertion Loss @ 25°C



PT108-2 – Typical Insertion Loss @ 25°C



PT108-3 – Typical Insertion Loss @ 25°C



Notes:

1. Dimensions are shown in inches/millimeters
Unless otherwise specified, tolerance: $\pm 0.010 / 0,25$
2. Bandwidth specifications are typical in a 50Ω system
3. Bandwidth is referenced to mid-band loss
4. Impedance and turns ratio are specified primary : secondary
5. Tape and reel quantity, 2600 pcs/reel
6. For non-RoHS parts replace PT prefix with 42- (e.g. PT108-0 becomes 42-108-0)
7. Terminal finish is compliant to RoHS requirements. Solder in accordance with J-STD-020C.