



**SMD INDUCTOR DR355-1 SERIES**

**Features**

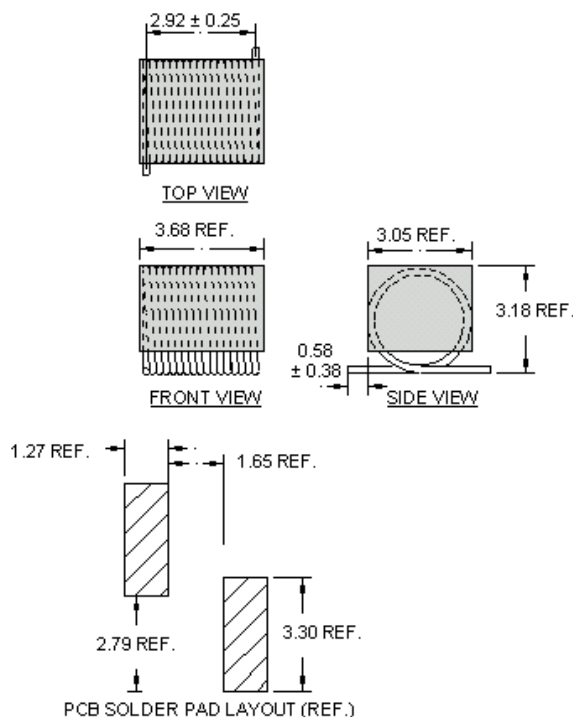
- Low Profile Surface Mount Design
- Suitable for Reflow soldering
- Inductance Range from 2.5nH to 18.5nH
- Operating Temp. -40°C to +125°C
- Tinned Leads with Leaded Solder is Available (note 3)



**ELECTRICAL SPECIFICATIONS AT 25°C**

PART NO.	INDUCTANCE (nH) @ 0A	Q Min.	Test Freq. (MHz)	SRF (MHz) Min.	DCR (mΩ) MAX.	MAX. RATED CURRENT (A) (TYP.)
DR355-1-252	2.5±10%	145	150	12500	1.1	4.0
DR355-1-502	5.0±10%	140	150	6500	1.8	4.0
DR355-1-802	8.0±5%	140	150	5000	2.6	4.0
DR355-1-133	12.5±5%	137	150	3300	3.4	4.0
DR355-1-193	18.5±5%	132	150	2500	3.9	4.0

**MECHANICAL OUTLINES**



**NOTE:**

1. All dimensions shown are in "mm".
2. Tape and reel quantity, 2000 pcs/reel
3. For non-RoHS parts replace DR prefix with 42- (e.g. DR355-1 becomes 42-355-1)
4. Terminal finish is compliant to RoHS requirements. Solder in accordance with J-STD-020D