

SHIELDED SMD INDUCTOR DR350-9 SERIES

Features

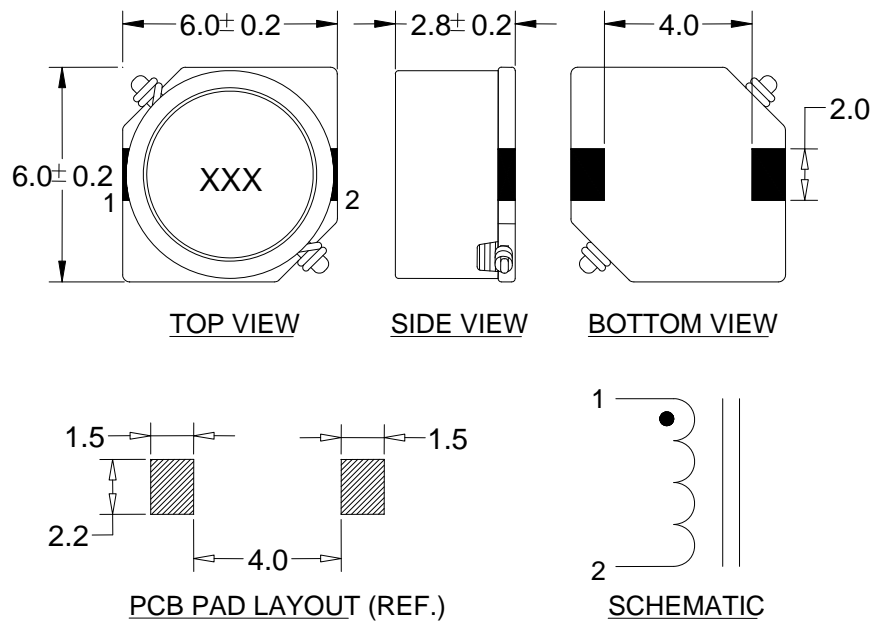
- Low Profile Surface Mount Design
- Flat Top for Pick and Place
- Inductance Range from 4.7 μ H to 100.0 μ H
- Operating Temp. -40°C to +85°C
- Tinned Leads with Leaded Solder is Available (note 7)



ELECTRICAL SPECIFICATIONS AT 25°C

| Part No. | Inductance (μ H) \pm 20% | DCR (Ω) \pm 20% | I_{rms} (A) Max. | I_{sat} (A) Max. |
|-------------|---------------------------------|----------------------------|--------------------|--------------------|
| DR350-9-472 | 4.7 | 0.036 | 2.50 | 1.60 |
| DR350-9-682 | 6.8 | 0.052 | 2.20 | 1.50 |
| DR350-9-103 | 10.0 | 0.068 | 1.80 | 1.30 |
| DR350-9-153 | 15.0 | 0.100 | 1.40 | 1.00 |
| DR350-9-223 | 22.0 | 0.120 | 1.30 | 0.77 |
| DR350-9-333 | 33.0 | 0.180 | 1.10 | 0.69 |
| DR350-9-473 | 47.0 | 0.270 | 0.92 | 0.59 |
| DR350-9-683 | 68.0 | 0.390 | 0.78 | 0.50 |
| DR350-9-104 | 100.0 | 0.620 | 0.64 | 0.42 |

MECHANICAL OUTLINES



Notes:

1. All dimensions are shown in millimeter "mm"
2. General tolerance \pm 0.2mm, unless other specified
3. Inductance Test: 1kHz, 0.5Vrms
4. I_{rms} for an approximate 45°C temperature rise
5. I_{sat} for an approximate 20% drop maximum of the nominal value
6. Tape and reel quantity, 1000 pcs/reel
7. For non-RoHS parts replace DR prefix with 42- (e.g. DR350-9 becomes 42-350-9)
8. Terminal finish is compliant to RoHS requirements. Solder in accordance with J-STD-020D