

## SHIELDED SMD INDUCTOR DR350-8 SERIES

### Features

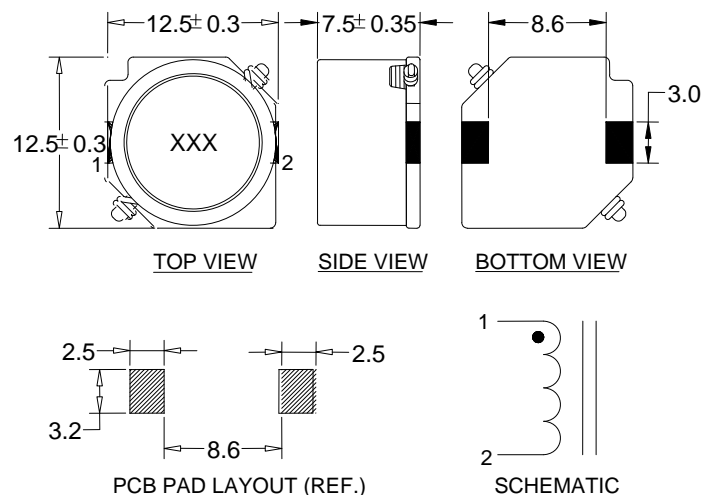
- Low Profile Surface Mount Design
- Flat Top for Pick and Place
- Inductance Range from 1.2 $\mu$ H to 220.0 $\mu$ H
- Operating Temp. -40°C to +85°C
- Tinned Leads with Leaded Solder is Available (note 7)



### ELECTRICAL SPECIFICATIONS AT 25°C

Part No.	Inductance ( $\mu$ H)	DCR (m $\Omega$ ) Max.	I <sub>rms</sub> (A) Max.	I <sub>sat</sub> (A) Max.
DR350-8-122	1.2 $\pm$ 30%	8.28	8.2	13.0
DR350-8-272	2.7 $\pm$ 30%	11.28	7.0	10.0
DR350-8-392	3.9 $\pm$ 30%	12.48	6.7	9.0
DR350-8-562	5.6 $\pm$ 30%	13.92	6.3	7.8
DR350-8-682	6.8 $\pm$ 30%	15.72	5.9	7.2
DR350-8-103	10.0 $\pm$ 20%	18.72	5.4	5.5
DR350-8-153	15.0 $\pm$ 20%	22.08	5.0	4.7
DR350-8-223	22.0 $\pm$ 20%	31.56	4.0	4.0
DR350-8-333	33.0 $\pm$ 20%	47.40	3.4	3.2
DR350-8-473	47.0 $\pm$ 20%	63.36	3.0	2.7
DR350-8-683	68.0 $\pm$ 20%	93.36	2.4	2.0
DR350-8-104	100.0 $\pm$ 20%	150.0	1.9	1.9
DR350-8-154	150.0 $\pm$ 20%	210.0	1.6	1.5
DR350-8-224	220.0 $\pm$ 20%	309.6	1.3	1.3

### MECHANICAL OUTLINES



### Notes:

1. All dimensions are shown in millimeter "mm"
2. General tolerance  $\pm$ 0.2mm, unless other specified
3. Inductance Test: 1kHz, 0.5Vrms
4. I<sub>rms</sub> for an approximate 45°C temperature rise
5. I<sub>sat</sub> for an approximate 20% drop maximum of the nominal value
6. Tape and reel quantity, 350 pcs/reel
7. For non-RoHS parts replace DR prefix with 42- (e.g. DR350-8 becomes 42-350-8)
8. Terminal finish is compliant to RoHS requirements. Solder in accordance with J-STD-020D