

SHIELDED SMD INDUCTOR DR350-7 SERIES

Features

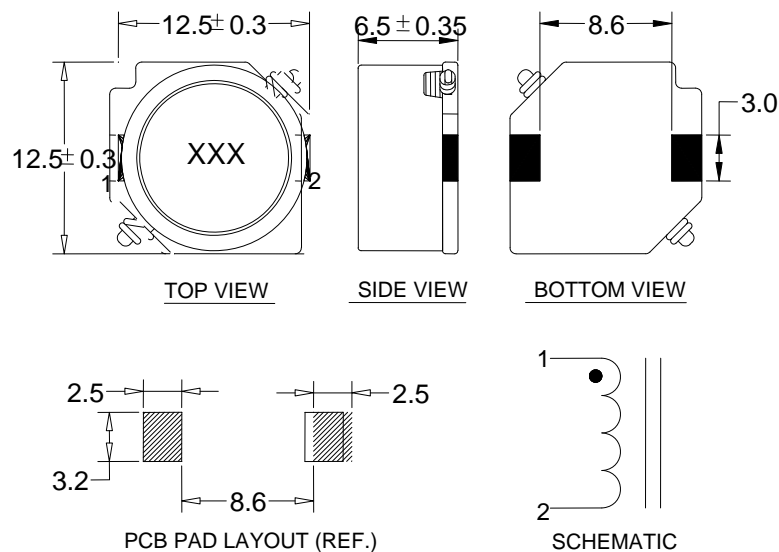
- Low Profile Surface Mount Design
- Flat Top for Pick and Place
- Inductance Range from 2.0 μ H to 150.0 μ H
- Operating Temp. -40°C to +85°C
- Tinned Leads with Leaded Solder is Available (note 7)



ELECTRICAL SPECIFICATIONS AT 25°C

Part No.	Inductance (μ H)	DCR ($m\Omega$) $\pm 20\%$	I_{rms} (A) Max.	I_{sat} (A) Max.
DR350-7-202	2.0 $\pm 30\%$	11.7	6.2	10.0
DR350-7-422	4.2 $\pm 30\%$	15.0	5.5	7.3
DR350-7-702	7.0 $\pm 20\%$	17.7	5.0	5.7
DR350-7-103	10.0 $\pm 20\%$	20.2	4.8	5.0
DR350-7-153	15.0 $\pm 20\%$	23.7	4.4	4.2
DR350-7-223	22.0 $\pm 20\%$	31.6	3.8	3.5
DR350-7-333	33.0 $\pm 20\%$	40.6	3.4	2.8
DR350-7-473	47.0 $\pm 20\%$	57.8	2.8	2.4
DR350-7-683	68.0 $\pm 20\%$	78.7	2.4	2.0
DR350-7-104	100.0 $\pm 20\%$	123.0	1.9	1.6
DR350-7-154	150.0 $\pm 20\%$	273.0	1.2	1.0

MECHANICAL OUTLINES



Notes:

1. All dimensions are shown in millimeter "mm"
2. General tolerance ± 0.2 mm, unless other specified
3. Inductance Test: 1kHz, 0.5Vrms
4. I_{rms} for an approximate 45°C temperature rise
5. I_{sat} for an approximate 20% drop maximum of the nominal value
6. Tape and reel quantity, 500 pcs/reel
7. For non-RoHS parts replace DR prefix with 42- (e.g. DR350-7 becomes 42-350-7)
8. Terminal finish is compliant to RoHS requirements. Solder in accordance with J-STD-020D.