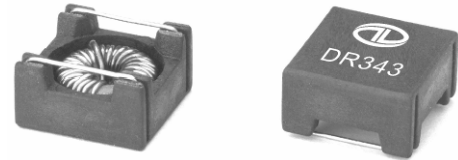




SELF-LEADED SMD INDUCTOR DR343 SERIES

Features

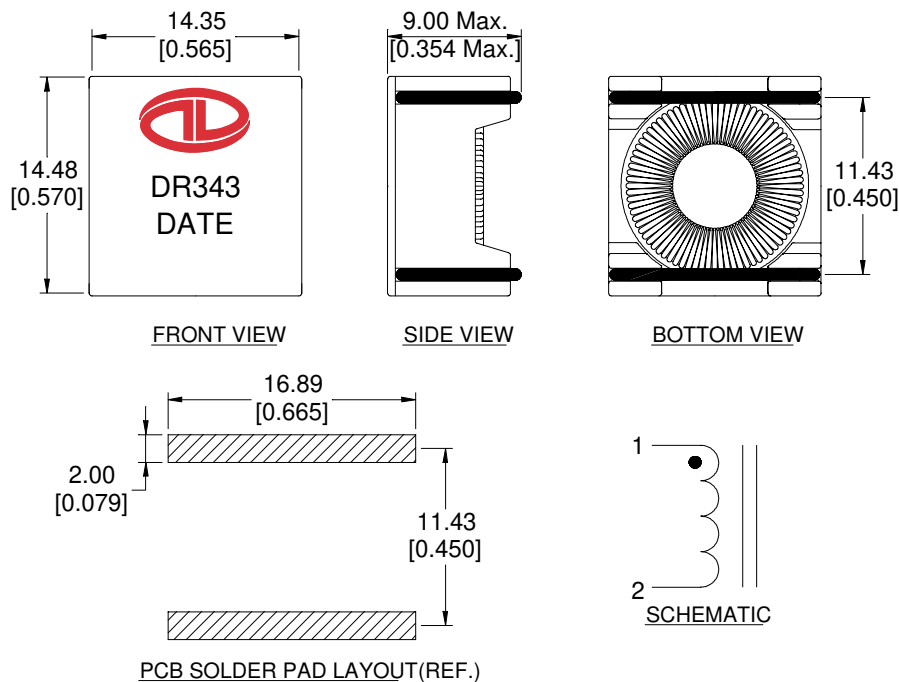
- Flat Top for Pick and Place
- Inductance Range from 18μH to 380μH
- Tape & Reel Packing
- Operating Temp. -40°C to +85°C
- Tinned Leads with Leaded Solder is Available (note 3)



ELECTRICAL SPECIFICATIONS AT 25°C

PART No.	INDUCTANCE (μH) ±20% @100KHz, 0.1V	DCR (Ω) ±20%	RATED CURRENT (A) Nominal	E _{Top} @100KHz (V-μSec) Ref.
DR343-180	18	0.06	1.81	9.9
DR343-260	26	0.1	1.48	9.9
DR343-390	39	0.1	1.20	13.2
DR343-540	54	0.2	1.00	16.5
DR343-780	78	0.3	0.82	23.1
DR343-121	120	0.4	0.67	29.7
DR343-181	180	0.6	0.54	36.3
DR343-251	250	0.9	0.44	49.5
DR343-381	380	1.3	0.36	75.9

MECHANICAL OUTLINES



NOTES:

1. All dimensions are shown in millimeters "mm" [inches "in"].
2. General tolerance ±0.25mm [0.010 in.], unless otherwise specified.
3. For non-RoHS parts replace DR prefix with 42- (e.g. DR343 becomes 42-343).
4. Terminal finish is compliant to RoHS requirements. Solder in accordance with J-STD-020C.