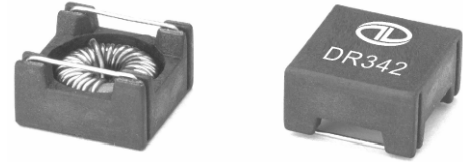
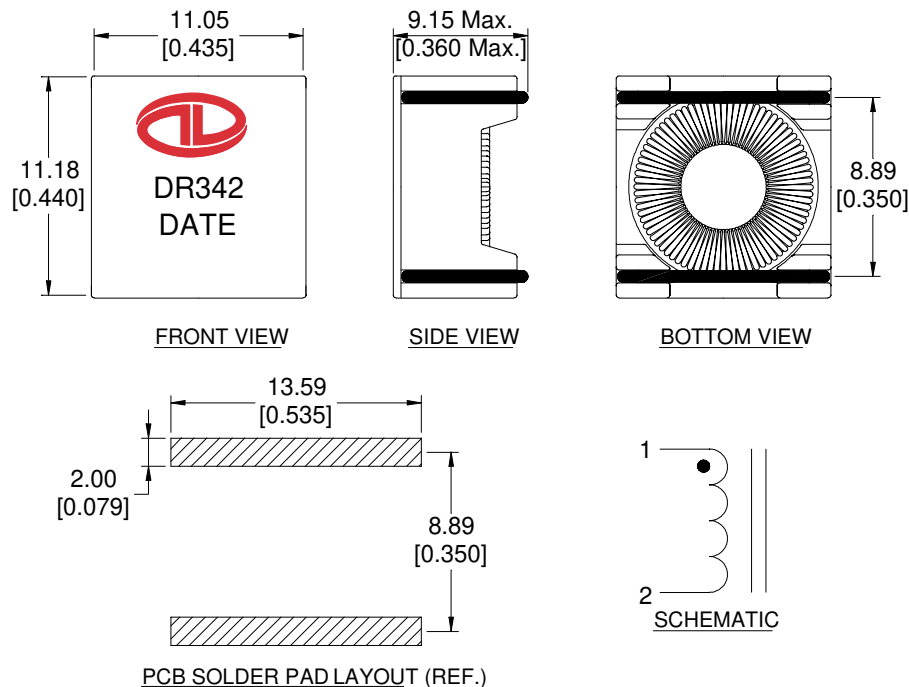


**SELF-LEADED SMD INDUCTOR DR342 SERIES**
**Features**

- Low Profile Surface Mount Design
- Flat Top for Pick and Place
- Inductance Range from 17 $\mu$ H to 380 $\mu$ H
- Tape & Reel Packing
- Operating Temp. -40°C to +85°C (note 3)
- Tinned Leads with Leaded Solder is Available (note 3)


**ELECTRICAL SPECIFICATIONS AT 25°C**

PART No.	INDUCTANCE ( $\mu$ H) $\pm 20\%$ @100KHz, 0.1V	DCR ( $\Omega$ ) $\pm 20\%$	RATED CURRENT (A) Nominal	E <sub>Top</sub> @100KHz (V- $\mu$ Sec) Ref.
DR342-170	17	0.1	1.02	6.6
DR342-260	26	0.2	0.84	6.6
DR342-390	39	0.3	0.68	9.9
DR342-550	55	0.5	0.56	13.2
DR342-780	78	0.8	0.46	16.5
DR342-121	120	1.2	0.38	19.8
DR342-181	180	1.4	0.30	26.4
DR342-261	260	2.2	0.25	33.0
DR342-381	380	2.7	0.20	75.9

**MECHANICAL OUTLINES**

**NOTES:**

1. All dimensions are shown in millimeters "mm" [inches "in"].
2. General tolerance  $\pm 0.25$ mm [0.010 in.], unless otherwise specified.
3. For non-RoHS parts replace DR prefix with 42- (e.g. DR342 becomes 42-342).
4. Terminal finish is compliant to RoHS requirements. Solder in accordance with J-STD-020C.