

SMD INDUCTOR DR336 SERIES

Features

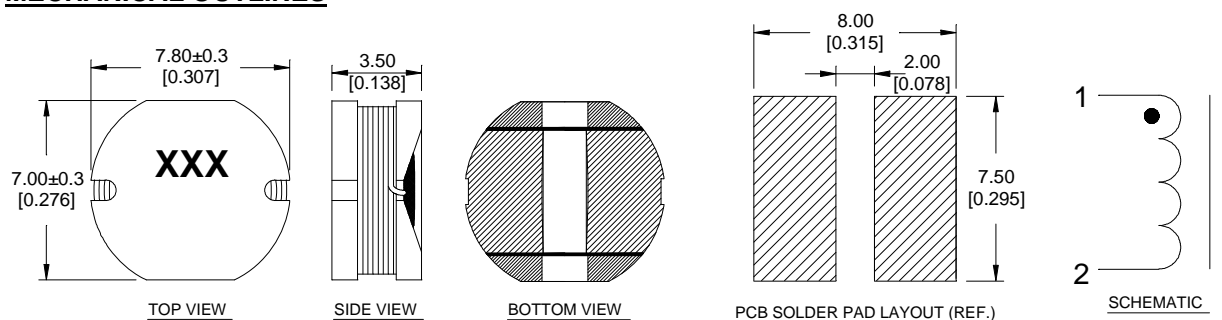
- Low Profile Surface Mount Design
- Flat Top for Pick and Place
- Inductance Range from 10 μ H to 1000 μ H
- Operating Temp. -20°C to +80°C
- Tinned Leads with Leaded Solder is Available (note 6)



ELECTRICAL SPECIFICATIONS AT 25°C

PART No.	INDUCTANCE (μ H)	DCR (Ω) Max.	RATED CURRENT (A) Max.
DR336-103	10 \pm 20% @ 2.52MHz	0.08	1.44
DR336-123	12 \pm 20% @ 2.52MHz	0.09	1.39
DR336-153	15 \pm 20% @ 2.52MHz	0.10	1.24
DR336-183	18 \pm 20% @ 2.52MHz	0.11	1.12
DR336-223	22 \pm 20% @ 2.52MHz	0.13	1.07
DR336-273	27 \pm 20% @ 2.52MHz	0.17	0.94
DR336-333	33 \pm 20% @ 2.52MHz	0.18	0.85
DR336-393	39 \pm 20% @ 2.52MHz	0.22	0.74
DR336-473	47 \pm 20% @ 2.52MHz	0.25	0.68
DR336-563	56 \pm 20% @ 2.52MHz	0.28	0.64
DR336-683	68 \pm 10% @ 2.52MHz	0.33	0.59
DR336-823	82 \pm 10% @ 2.52MHz	0.45	0.54
DR336-104	100 \pm 10% @ 1kHz	0.48	0.51
DR336-124	120 \pm 10% @ 1kHz	0.54	0.49
DR336-154	150 \pm 10% @ 1kHz	0.75	0.40
DR336-184	180 \pm 10% @ 1kHz	1.02	0.36
DR336-224	220 \pm 10% @ 1kHz	1.20	0.31
DR336-274	270 \pm 10% @ 1kHz	1.31	0.29
DR336-334	330 \pm 10% @ 1kHz	1.50	0.28

MECHANICAL OUTLINES



NOTES:

1. All dimensions are shown in millimeters "mm" [inches "in"].
2. General tolerance \pm 0.25mm [0.010 IN.], unless otherwise specified.
3. Tape and reel quantity, 1000 pcs/reel.
4. Terminal finish is compliant to RoHS requirements
5. Solder in accordance with J-STD-002 Rev. D
6. Non-RoHS series parts 42-336-XXX are finished with leaded solder Sn60Pb40 or equivalent