

## SMD INDUCTOR DR331-6 SERIES

### Features

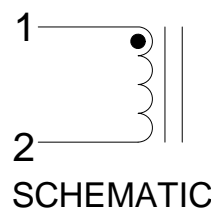
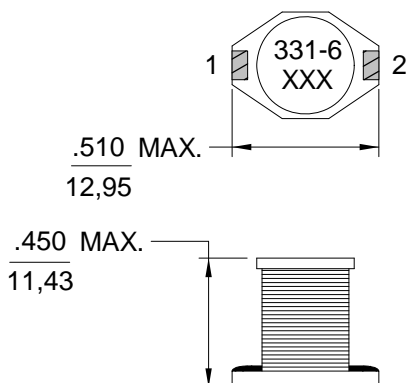
- Surface Mount Design
- Inductance Range from 10 $\mu$ H to 1000 $\mu$ H
- Operating Temp. -40°C to +85°C
- Tinned Leads with Leaded Solder is Available (note 8)



### ELECTRICAL SPECIFICATIONS AT 25°C

Part No.	Inductance ( $\mu$ H) $\pm$ 20%	DCR ( $\Omega$ ) Max.	I rms (A) Max. (Note 3)	I sat (A) Max. (Note 2)	SRF (MHz) REF.
DR331-6-103	10	0.04	3.5	8.0	22
DR331-6-153	15	0.05	3.0	7.0	18
DR331-6-223	22	0.07	2.5	5.5	11
DR331-6-333	33	0.08	2.0	4.0	9.0
DR331-6-473	47	0.11	1.6	3.8	8.0
DR331-6-683	68	0.17	1.2	3.0	7.0
DR331-6-104	100	0.22	1.2	2.5	5.0
DR331-6-154	150	0.34	0.90	2.0	4.0
DR331-6-224	220	0.44	0.70	1.6	3.5
DR331-6-334	330	0.70	0.60	1.2	2.5
DR331-6-474	470	0.95	0.30	1.0	2.0
DR331-6-684	680	1.2	0.20	1.0	2.0
DR331-6-105	1000	2.0	0.10	0.80	1.5

### MECHANICAL SPECIFICATIONS



#### NOTES:

1. Dimensions are shown in inches/millimeters  
Unless otherwise specified, tolerance  
= Inches:  $\pm 0.010$   
= Millimeters:  $\pm 0,30$
2. Isat based on the inductance being 90% of its  
initial value
3. Irms based on temperature rise of 40°C
4. Tape & Reel Packaging, 250 pcs / reel.
5. Inductance tested at 0.1 Vrms @ 100 kHz
6. Terminal finish is compliant to RoHS  
requirements
7. Solder in accordance with J-STD-002 Rev. D
8. Non-RoHS series parts 42-331-6-XXX are  
finished with leaded solder Sn60Pb40 or  
equivalent

